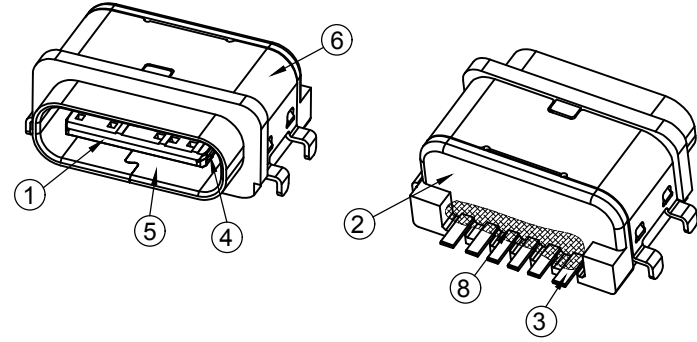
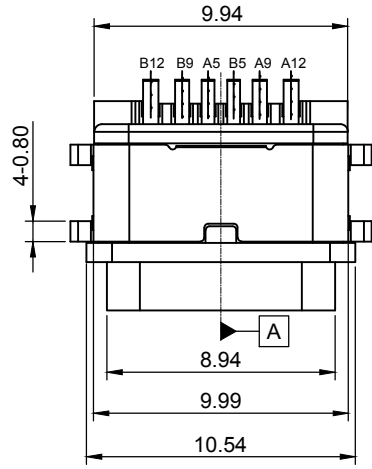


REV	ECN No.	DATE	REMARK
D	NEW	2024.10.07	修正2D与3D相符



SPECIFICATION:

- CURRENT RATING: 3.0A MAX.
- VOLTAGE: 100 VAC
- TEMPERATURE RANGE: -30 °C ~ 85 °C
- CONTACT RESISTANCE: 40 mΩ MAX.
- INSULATION RESISTANCE: 100 MΩ MIN.
- INSERTION FORCE: 5N~20N
- UNMATING FORCE: 8N~20N
- DURABILITY: 10,000 CYCLES
- WATER PROOFNESS: THIS PRODUCT IS BASED ON SEE THE PART NUMBER
- IR REFLOW: THE PEAK TEMPERATURE ON THE BOARD SHALL BE MAINTAINED FOR 10 SECONDS AT 260°C.
- SALT SPRAY: 24H
- WATERPROOF GRADE: IP67

PART NUMBER CODE:
CF306-003 S L B 01 VR - X - 02
1 2 3 4

1. HOUSING COLOR:
B: BLACK

2. CONTACTS PLATED:
01: CONTACT AREA: AU 1U", SOLDER TAILS: TIN

3. PACKING OPTIONS
VR: VR: TAPE & REEL + VACUUM PACKAGING

4. 防水等级选择:
无: 防水等级IP67(打防水胶)
1: 防水等级IP45(不打防水胶)

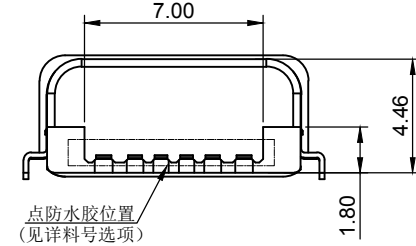
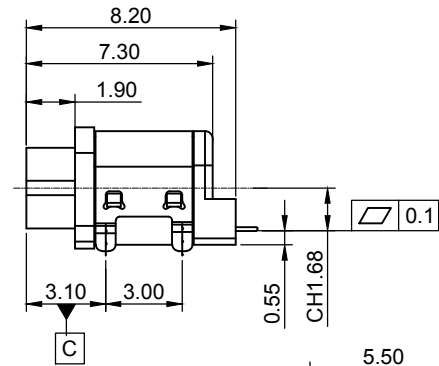
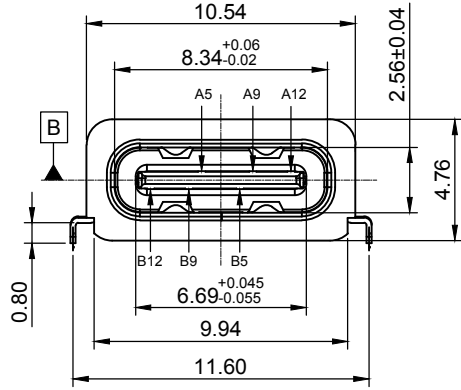
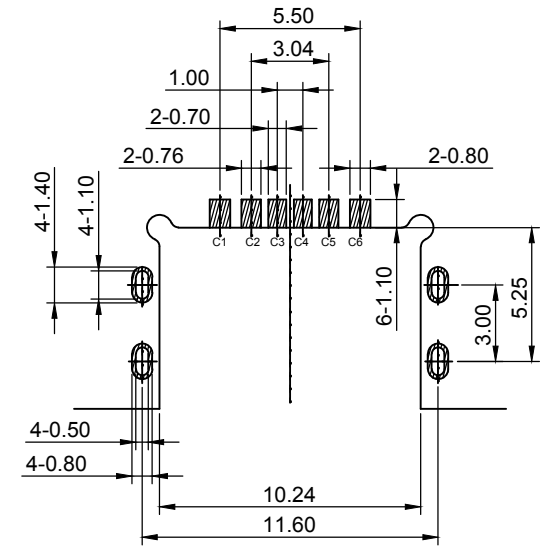
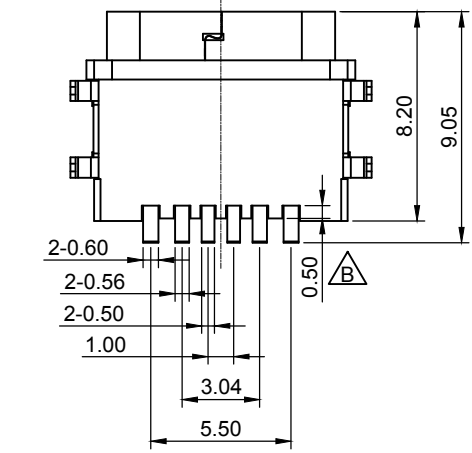


TABLE:

NO.	DESCRIPTION	MATERIAL	REMARKS	QTY
8	胶水	环氧胶	BLACK	--
7	O-RING	SILICONE RUBBER	BLACK 60A	1PCS
6	OUT SHELL	STAINLESS STEEL SUS304 T=0.30mm	NI 30u"MIN Plated	1PCS
5	INSIDE SHELL	STAINLESS STEEL SUS304 T=0.20mm	NI 30u"MIN Plated	1PCS
4	SHIELDING PLATE	STAINLESS STEEL SUS301 T=0.15mm	---	1PCS
3	CONTACT	COPPER ALLOY C2680 T=0.15mm	CONTACT AREA: AU 1U" SOLDER TAILS: Tin	1SET
2	SHELL HOUSING	HIGH TEMPERATURE PLASTIC LCP	UL94V-0 BLACK	1PCS
1	HOUSING	HIGH TEMPERATURE PLASTIC LCP	UL94V-0 BLACK	1PCS

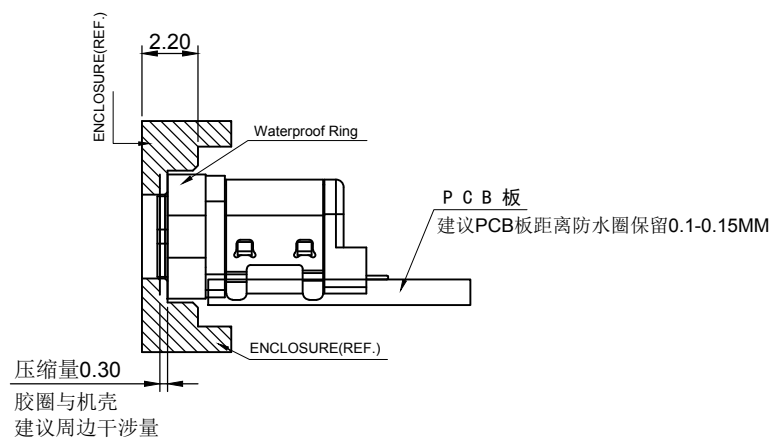
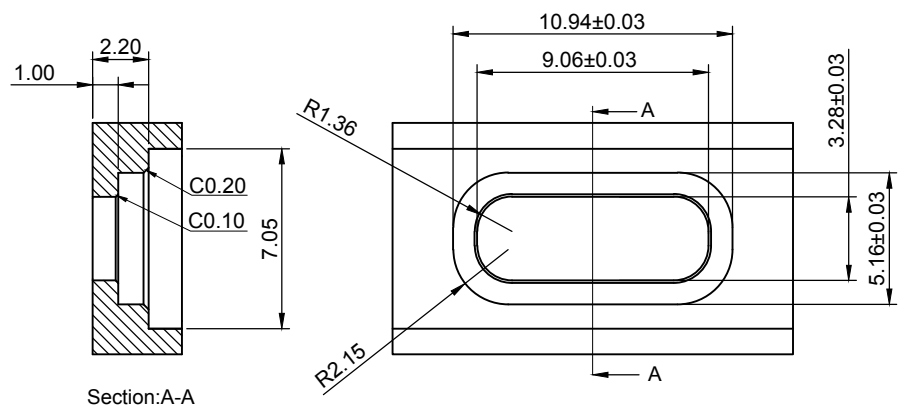


Recommended P.C.B. Layout Thickness: 0.80mm
Tolerance Unspecified ±0.05mm

GENERAL TOLERANCES (UNLESS SPECIFIED)		DRAWN BY: HuangXiaoHao Date: 2024.10.07		ZDT 深圳市中科兴达科技有限公司 Shenzhen Zhongke Xingda Technological Co.Ltd.	
X.XXX	±0.10	CHECKED BY: liuzongliang Date: 2024.10.07		TITLE: USB TYPE-C FEMALE 6PIN WATERPROOF IP67 MID-MOUNT 0.55 CH1.68	
X.XX	±0.25	APPROVED BY: Jacky Date: 2024.10.07		PART NO. SEE THE PART NUMBER CODE	
X.X	±0.30	ANGULAR ±3°		DWG NO. CF306-003-02	
THIRD ANGLE PROJECTION		UNT	SCALE	DRAWING	SHEET NO.
		mm	1:1	A4	1 OF 2
					REV. A

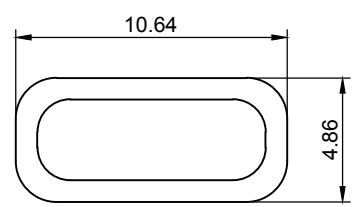
REV	ECN No.	DATE	REMARK
D	NEW	2024.10.07	修正2D与3D相符

机壳开孔建议尺寸图

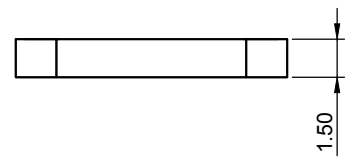


RECOMMENDED SCHEMATIC DRAWING OF CONNECTOR MATCH CHASSIS

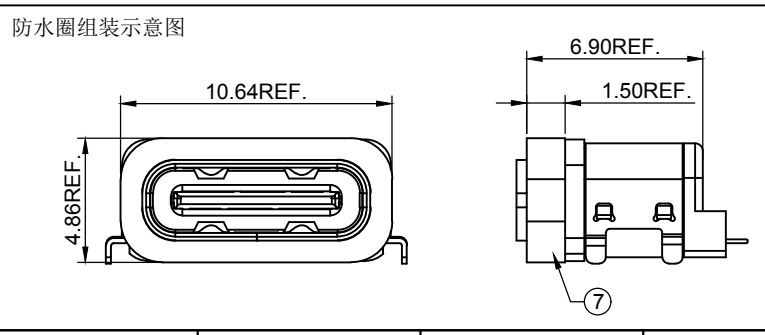
防水圈尺寸



- 1.料号:GJ002GBP-02
- 2.材质: 硅胶
- 3.硬度: 60A
- 4.颜色:黑色

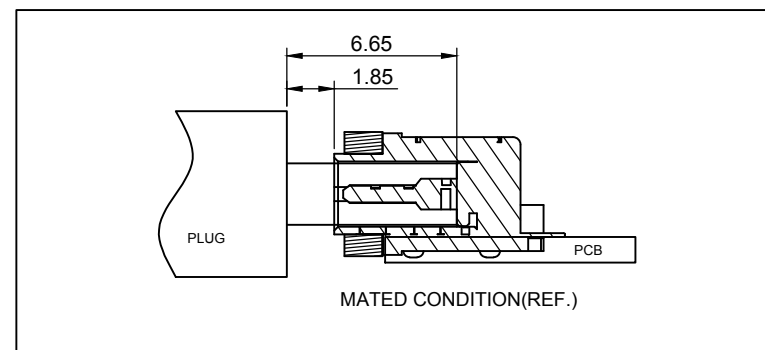


防水圈组装示意图



PIN ASSIGNMENT:

PIN NO	A1&B12	A4&B9	A5	B5	A9&B4	A12&B1
SIGNAL NAME	GND	VBUS	CC1	CC2	VBUS	GND
PCB PAD NO.	C1	C2	C3	C4	C5	C6



GENERAL TOLERANCES (UNLESS SPECIFIED)		DRAWN BY: HuangXiaoHao	Date: 2024.10.07	ZDT 深圳市中科兴达科技有限公司 Shenzhen Zhongke Xingda Technological Co.,Ltd.
X.XXX	±0.10	CHECKED BY: liuzongliang	Date: 2024.10.07	
X.XX	±0.25	APPROVED BY: Jacky	Date: 2024.10.07	TITLE USB TYPE-C FEMALE 6PIN WATERPROOF IP67 MID-MOUNT 0.55 CH1.68
X.X	±0.30			PART NO. SEE THE PART NUMBER CODE
ANGULAR	±3°			DWG NO. CF306-003-02
THIRD ANGLE PROJECTION	UNT	SCALE	DRAWING	SHEET NO.
	mm	1:1	A4	2 OF 2
				REV. A