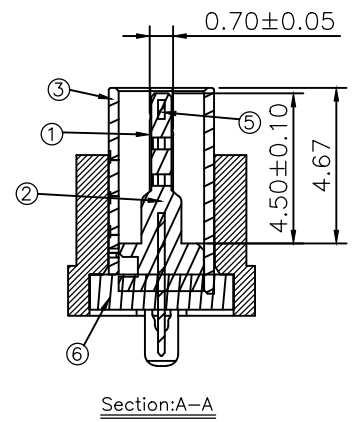
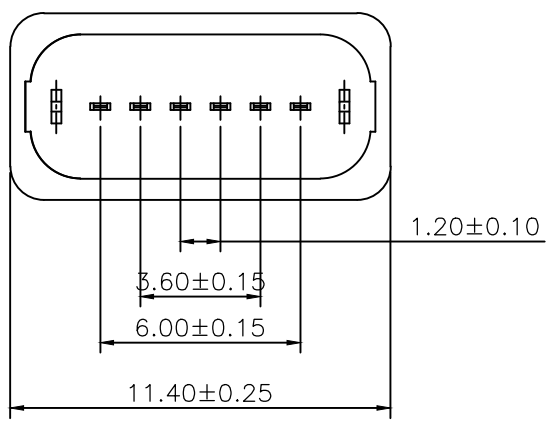
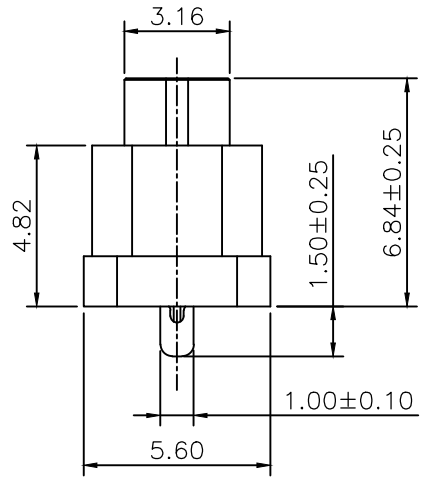
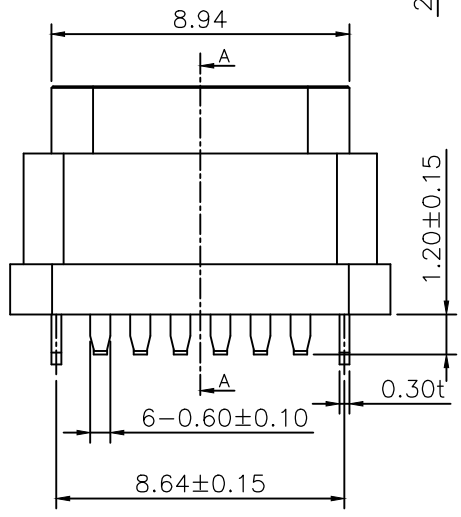
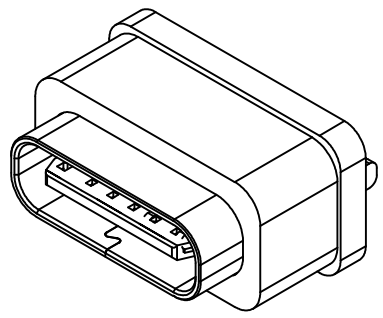
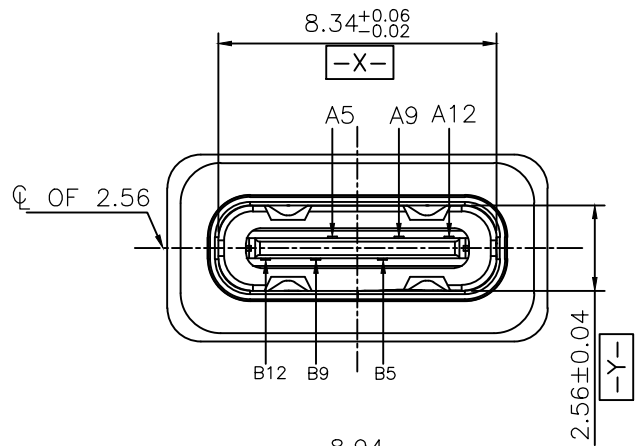


REV	ECN No.	DATE	REMARK
A	NEW	2023.10.18	NEW RELEASE



NOTE:  
 1.ELECTRICAL PERFORMANCE,  
 1-1. CURRENT RATING:3.0A MAX  
 1-2. VOLTAGE RATING:20V DC/AC (RMS. MAX)  
 1-3. LLCR:  
 40MΩ MAX INITIAL.  
 50MΩ MAX AFTER TEST  
 1-4.INSULATION RESISTANCE: 100MΩ MIN  
 1-5.DIELECTRIC WITHSTAND VOLTAGE:100V AC  
 2.MECHANICAL PERFORMANCE,  
 2-1.INSERTION FORCE: 5~20N.  
 2-2.EXTRACTION FORCE: 8~20N.  
 2-3.DURABILITY: 10000 CYCLES.  
 3.ENVIRONMENTAL PERFORMANCE:  
 OPERATING TEMPERATURE: -25°C~+85°C.  
 4.IR REFLOW:  
 THE PEAK TEMPERATURE ON THE BOARD SHALL  
 BE MAINTAINED FOR 10 SECONDS AT 260°C.(1次)  
 5.COMPLIANCE WITH ROHS REQUIREMENTS.  
 6.WATERPROOF RATING: IPX7  
 7.SALT SPRAY:24H

PART NUMBER CODE:  
 CFW06-021SL B 01 VR-HO  
 1 2 3

1.HOUSING COLOR:  
 B:BLACK  
 2.CONTACTS PLATED:  
 01: Contact Area: Au 1u"  
 Solder Tails: Tin  
 3.PACKING OPTIONS:  
 VR:TAPE & REEL+Vacuum Packaging

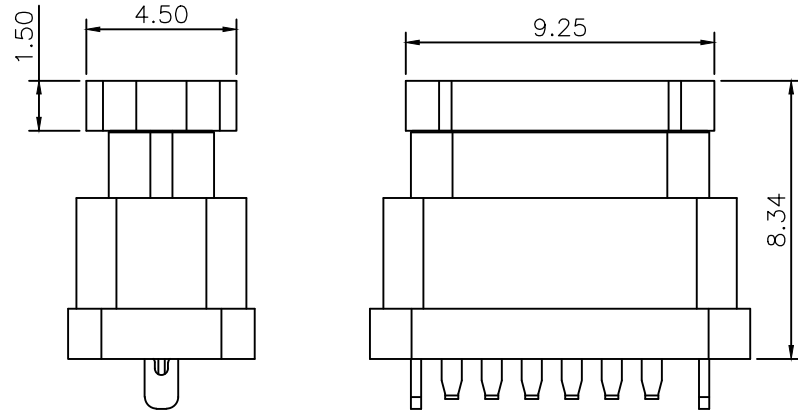
TABLE:

NO	PART	Material	Q'TY	Note
6	环氧树脂	BLACK		
5	Mid Plate	SUS301R-H.T=0.15.	2	NO PLATED
4	PLASTIC SHELL	PA9T	1	BLACK UL94 V-0
3	SHELL	SUS304R-H.T=0.30.	1	NI PLATED
2	HOUSING	LCP	1	BLACK UL94 V-0
1	CONTACT	C2680R-H.T=0.20	6	Au 1u" Plated On Vontact Area,Tin Plated On Solder Area; Nickel 50u"Min Underplating Over All.

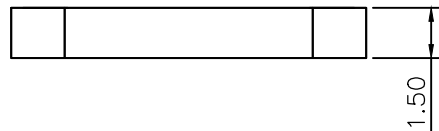
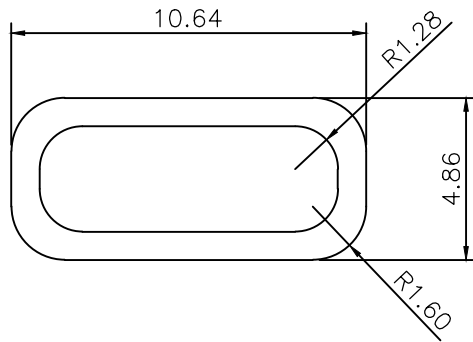
GENERAL TOLERANCES (UNLESS SPECIFIED)		DRAWN BY: HuangXiaoHao		Date: 2023.10.18		深圳市中科兴达科技有限公司 SHENZHEN ZDT TECHNOLOGY CO.,LTD TITLE USB TYPE-C FEMALE 6PIN 连接器 WATERPROOF IPX7 PH1.20(点胶) L=6.84 D款
X.XXX	±0.10	CHECKED BY: liuzongliang		Date: 2023.10.18		
X.XX	±0.25	APPROVED BY: Jacky		Date: 2023.10.18		
X.X	±0.30	ANGULAR		±3°		
THIRD ANGLE PROJECTION		UNT mm	SCALE 1:1	DRAWING A4	SHEET NO. 1 OF 2	DWG NO. CFW06-021-HO

REV	ECN No.	DATE	REMARK
A	NEW	2023.10.18	NEW RELEASE

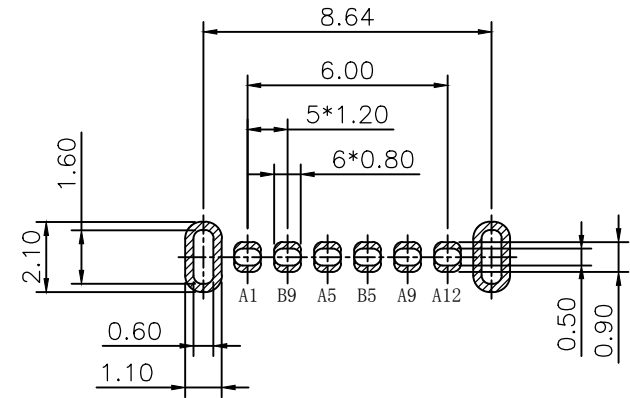
COVER 装配示意:



防水圈尺寸图:



1. 材质: 硅胶
2. 硬度: 60A
3. 颜色: 黑色



RECOMMENDED PCB LAYOUT(TOP VIEW)  
DEFAULT TOLERANCE:±0.05

PIN DEFINITION:

A5	CC1	B12	GND
A9	VBUS	B9	VBUS
A12	GND	B5	CC2
PIN	SIGNAL NAME	PIN	SIGNAL NAME

GENERAL TOLERANCES (UNLESS SPECIFIED)		DRAWN BY: HuangXiaoHao		Date: 2023.10.18		深圳市中科兴达科技有限公司 SHENZHEN ZDT TECHNOLOGY CO.,LTD TITLE USB TYPE-C FEMALE 6PIN 5插 WATERPROOF IPX7 PH1.20(点胶) L=6.84 D嵌
X.XXX	±0.10	CHECKED BY: liuzongliang		Date: 2023.10.18		
X.XX	±0.25	APPROVED BY: Jacky		Date: 2023.10.18		
X.X	±0.30	THIRD ANGLE PROJECTION		SCALE: 1:1		
ANGULAR	±3°	UNT	mm	DRAWING	A4	SHEET NO. 2 OF 2
				DWG NO.	CFW06-021-H0	